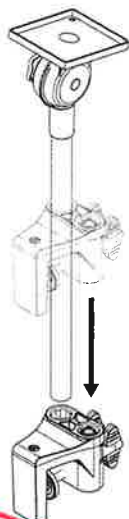


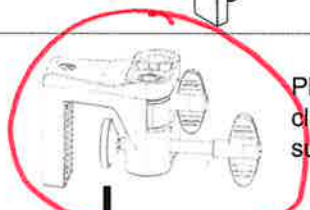
Assembly Instructions for washbasin  
216 S WASH + CLAMP + TSC + SHOWER

Remove the clamp  
from the tube

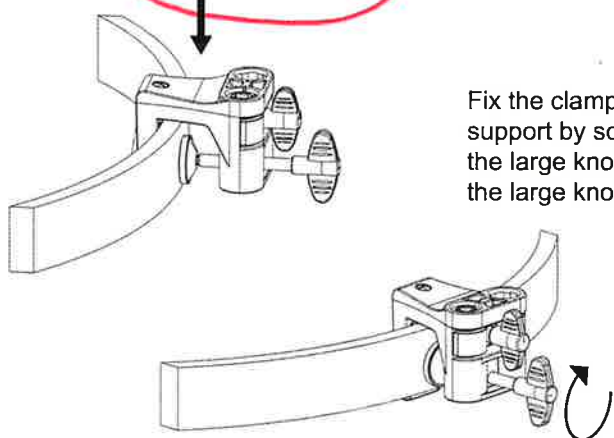


1

Place the  
clamp on the  
support

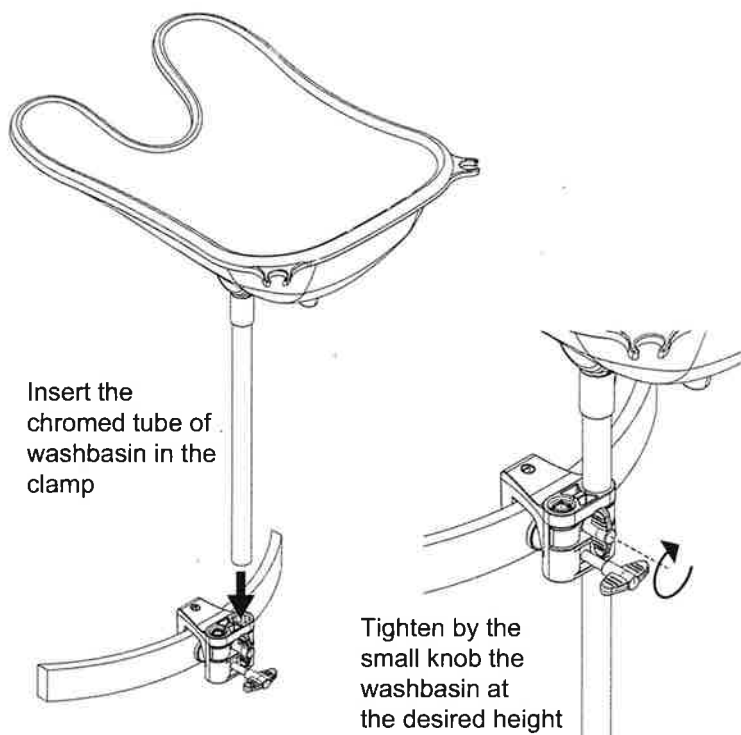


Fix the clamp to the  
support by screwing  
the large knob  
the large knob



3

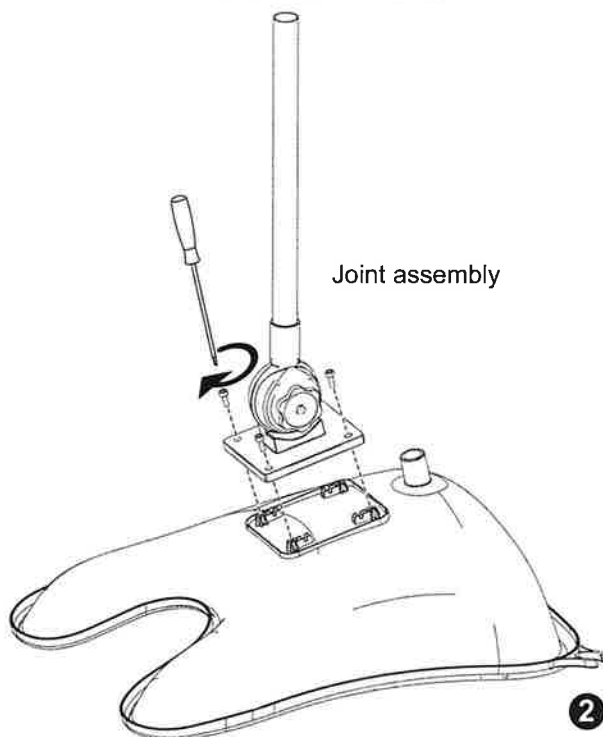
Insert the  
chromed tube of  
washbasin in the  
clamp



Tighten by the  
small knob the  
washbasin at  
the desired height

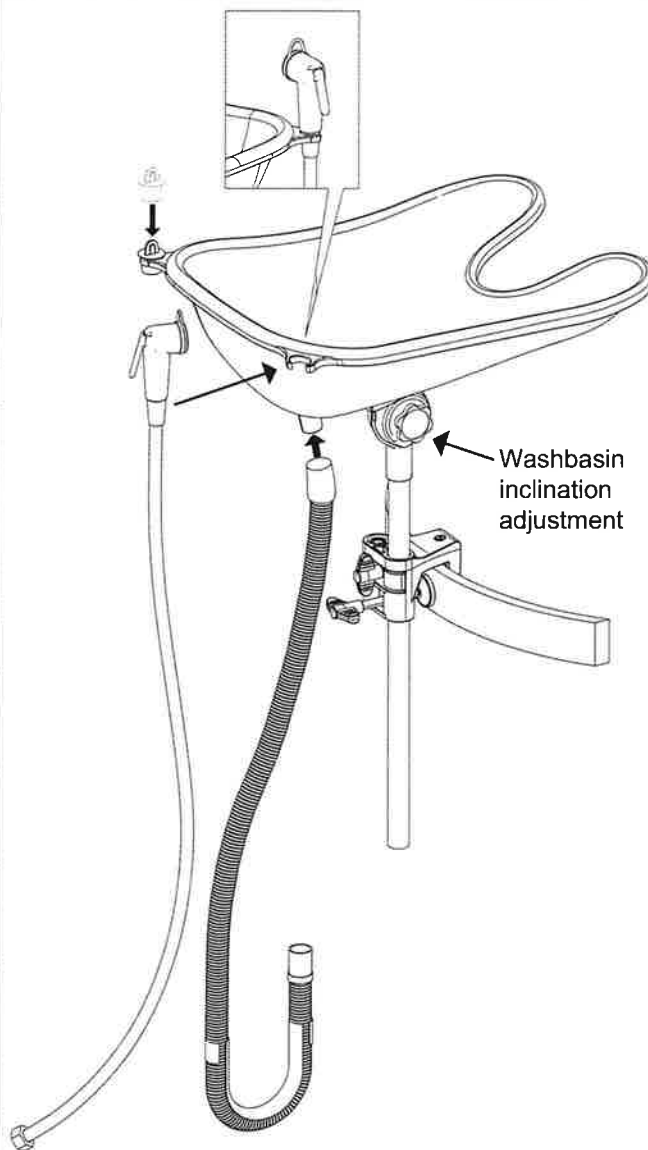
4

Joint assembly



2

Washbasin  
inclination  
adjustment



5